

Salamanders

Electric Salamander, open on 3 sides, 600mm

ITEM # _____

MODEL # _____

NAME # _____

SIS # _____

AIA # _____



283021 (Z0UUAEBOMOA) Electric Salamander, open on 3 sides, 600 mm, accept GN 1/1

283022 (Z0UUADBOMOA) Electric Salamander, open on 3 sides, 600 mm, accept GN 1/1

Short Form Specification

Item No. _____

Constructed in AISI 304 stainless steel. Table top model can be hanged on the wall with wall brackets (optional). Open on 3 sides. Incoloy heating elements placed in the upper deck, and can be tilted for easy cleaning. Upper desk is movable, sliding up and down along runners. 2 independent cooking areas managed by 2 separate energy regulator. Air vents along the upper side for evacuating heat and smoke. Extractable drip trays and chromium-plated steel grids for easy cleaning.

Main Features

- Open 3 sides for rapid cooling and ease of use.
- Heat control with energy regulator.
- Heating elements can be tilted for easy cleaning under the moving deck.
- Cooking plate size: 600 x 350 mm accept GN 1/1.

Construction

- Made of AISI 304 stainless steel.
- Air vents along the upper side for evacuating heat and smoke.
- Removable stainless steel drip tray.
- 2 independent tilting incoloy armoured heating elements.
- Movable upper plate.
- Chromium-plated steel grid with a safety stop to avoid accidental fall.
- Table top unit can be wall mounted with dedicated optional accessory.
- 4 rubber feet.

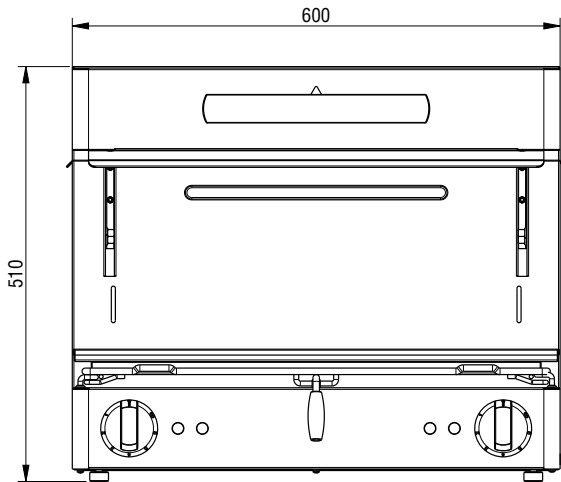
Optional Accessories

- Wall mounted brackets kit for salamanders open on 3 sides PNC 283035

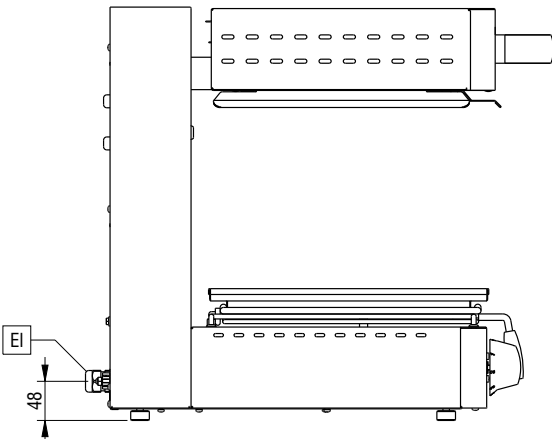
APPROVAL: _____

Salamanders Electric Salamander, open on 3 sides, 600mm

Front

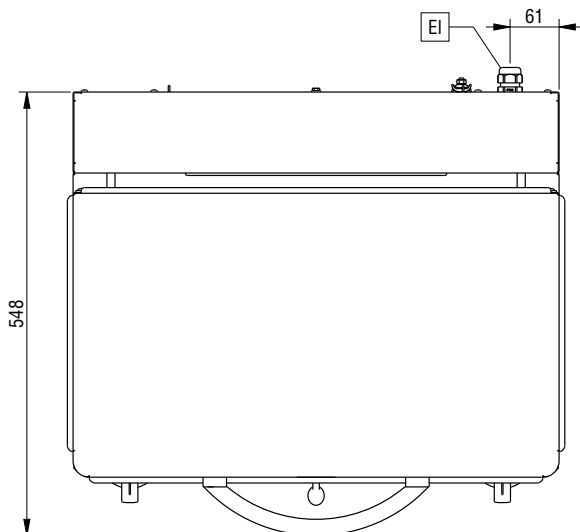


Side



EI = Electrical inlet (power)

Top



Electric

Supply voltage:

283021 (ZOUUAEBOMOA)

220/240 V/1 ph/50/60 Hz

283022 (ZOUUADBOMOA)

380/415 V/3N ph/50/60 Hz

Electrical power max.:

4 kW

Key Information:

External dimensions, Width: 600 mm

External dimensions, Depth: 549 mm

External dimensions, Height: 510 mm

Net weight: 48 kg

Salamanders

Electric Salamander, open on 3 sides, 600mm

The company reserves the right to make modifications to the products without prior notice. All information correct at time of printing.

2025.01.23